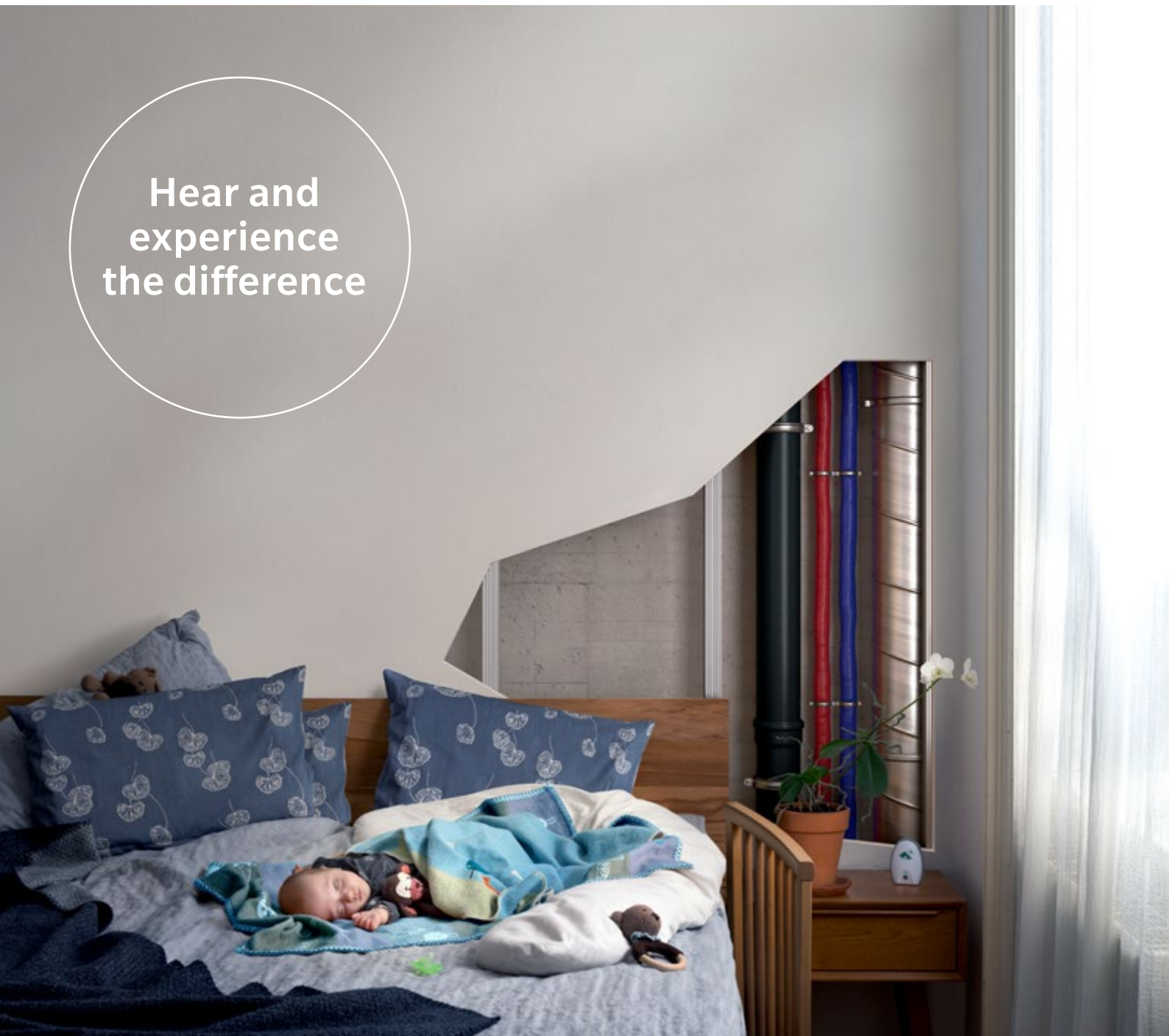


# Master3Plus acoustic pipe systems

SOIL & WASTE

**PIPELIFE** 

Hear and  
experience  
the difference





# Contents

Market-leading benefits	4
Hear the difference — market-leading sound insulation	6
Experience the difference — ease of installation	8
Create value — quality and reliability	10
Leverage digital technology — BIM meets Master3Plus	12
Create ecological value — building green	14

# Market-leading benefits

**Soil and waste pipes are essential service technology in buildings, but they can be noisy and disruptive.**

Our state-of-the-art acoustic soil and waste pipe system, Master3Plus, is made to meet today's construction and housing challenges in terms of quality, sound insulation, ease of installation and service life. Three functional pipe layers, top-quality material, and a well-thought-out product design deliver tangible benefits for designers, installers, investors as well as dwellers.

**200 + articles**

---



**Easier, faster and safer installation**

**Flow-optimized design**

**Reliably tight**

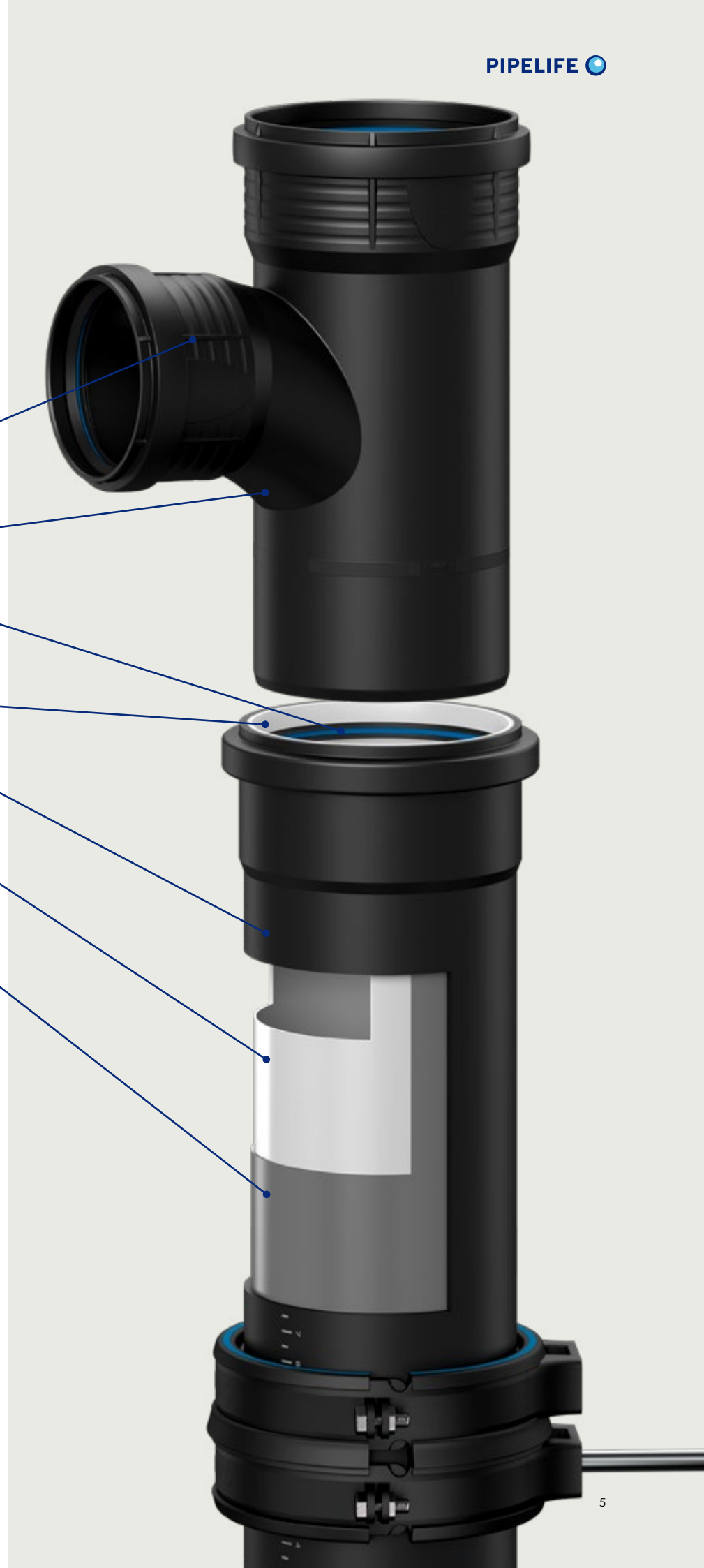
**Quiet flow**

**UV improved protection**

**Easier inspection and maintenance**

**Excellent sound insulation; high rigidity and robustness**

- Economic use of materials and waste reduction
- Secure installation well below zero degrees
- Fit for multiple application areas



# Hear the difference

## Market-leading sound insulation

**Ensure improved general quality of life and increase property value by ruling out noise nuisance from neighboring rooms or apartments with market-leading building service technology.**

Master3Plus, our premium polypropylene (PP) soil and waste piping system, effectively reduces airborne as well as structure-borne noise. This has been tested by the Fraunhofer Institute in Germany. In fact, results show that Master3Plus is one of the quietest soil and waste pipe systems available on the European market.

### Optimized acoustic properties

When choosing an acoustic soil and waste piping system, we strongly recommend taking the sound-absorbing properties of the complete piping system, its hydraulic design as well as adequate sound barriers (fastening) into consideration.

Sound is produced through vibrations that travel as waves either by air or matter. In building acoustics, these are referred to as air and structure-borne sound. While good pipe and wall insulation will minimize noise transmission within a space, the progression of structure-borne sound is more difficult to contain as it is transferred over walls and building structures to adjacent spaces.

Master3Plus successfully minimizes the development and propagation of air and structure-borne noise and qualifies as one of the quietest soil and waste piping systems on the European market.

### Standardized tests for comparability

For you to take our claims seriously, to ensure comparability, and for us to further improve our system's acoustic quality, we subject Master3Plus to standardized third-party acoustic tests in addition to stringent in-house laboratory testing.

Conducted at the independent testing institute Fraunhofer in Stuttgart, Germany, acoustic tests on Master3Plus are performed in reference to EN 14366 and with different fastening clamps in accordance with DIN 4109 and VDI 4100.

PIPELIFE's Master3Plus soil and waste pipe systems exceed the requirements for sound insulation of technical equipment in buildings and keep the installation sound level according to VDI 4100 below 10 dB(A).

## How quiet are 10 decibels?

A person in an adjacent room or apartment will perceive water flowing at four liters per second (e.g. toilet flushing) as quietly as breathing.







# Experience the difference

## Ease of installation

**The reliability, longevity and quality of soil and waste piping systems depend just as much on the quality of their installation as on product properties.**

Based on our know-how and on the feedback and requests from plumbers and installers we continuously improve the design of our products – making the installation of Master3Plus as easy and safe as possible.





### Fast, failsafe and flexible sealing

Minimize physical effort and get the job done faster. The specially developed gasket profile facilitates assembly considerably.

Count on failsafe pipe joining. Master3Plus gaskets are designed to prevent accidental push-out or displacement.

With our sealing ring for error-free installation, you are always right and connections are tight.

### Marked for perfect connections

Relying on **reinforcing ribs** positioned at a 60° angle, you will also know if you have oriented fittings correctly.

An **insertion-depth marking** on every Master3Plus fitting helps you to instantly tell if the products have been connected correctly.



### Installation despite intense conditions

Thanks to carefully selected raw materials and its sturdy design, Master3Plus boasts high impact resistance for worry-free handling and manipulation on-site.

Minus degrees well below 0 are no reason to postpone installation – at least not for Master3Plus. The products' outstanding impact resistance is tested to EN 1451 at -10°C.

# Create value

## Quality and reliability

**From the foundation to the roof, you build sustainable value for investors, homeowners and dwellers by carefully selecting building materials that are reliable, long-lasting and require as little as possible maintenance.**

As a manufacturer, we do just the same for you. All products you receive from us are made from carefully sourced materials and manufactured with state-of-the-art design and production technology to last at least 50 years with minimal maintenance.

- **50+ years of service life**
- **EAN coded for rapid inventory management**
- **High ring and longitudinal rigidity**
- **Minimal maintenance**



### Raw materials selection

Our Master3Plus soil and waste piping systems are made from halogen-free mineral-reinforced polypropylene copolymer. They are designed to withstand the challenges encountered in today's residential, commercial and industrial construction projects.



## Properties at a glance

<b>Material</b>	
Pipe	PP-CO/PP-MV/PP-CO
Fitting	PP-CO-MV
Gasket	EPDM
<b>Factory standards</b>	Fittings and pipes tested to EN 1451
<b>Diameter range</b>	32 –160 mm
<b>Pipe lengths (meters)</b>	
DN/OD 32-50	0.15, 0.25, 0.50, 1.0, 1.5, 2.0
DN/OD 75-160	0.15, 0.25, 0.50, 1.0, 1.5, 2.0, 2.65
<b>Fitting design</b>	socket-spigot and all-socket
<b>Fire classification</b>	B2 according to DIN 4102
<b>Temperature resistance</b>	Continuous load 60 °C, max. 95 °C
<b>Chemical resistance</b>	acids and alkalis ranging from pH 2 to pH 12

### Application areas

Domestic and industrial soil and waste system

Underground building laterals connecting to the road sewerage system ( $\geq 75$  DN/OD)

Ventilation systems

Central vacuuming system

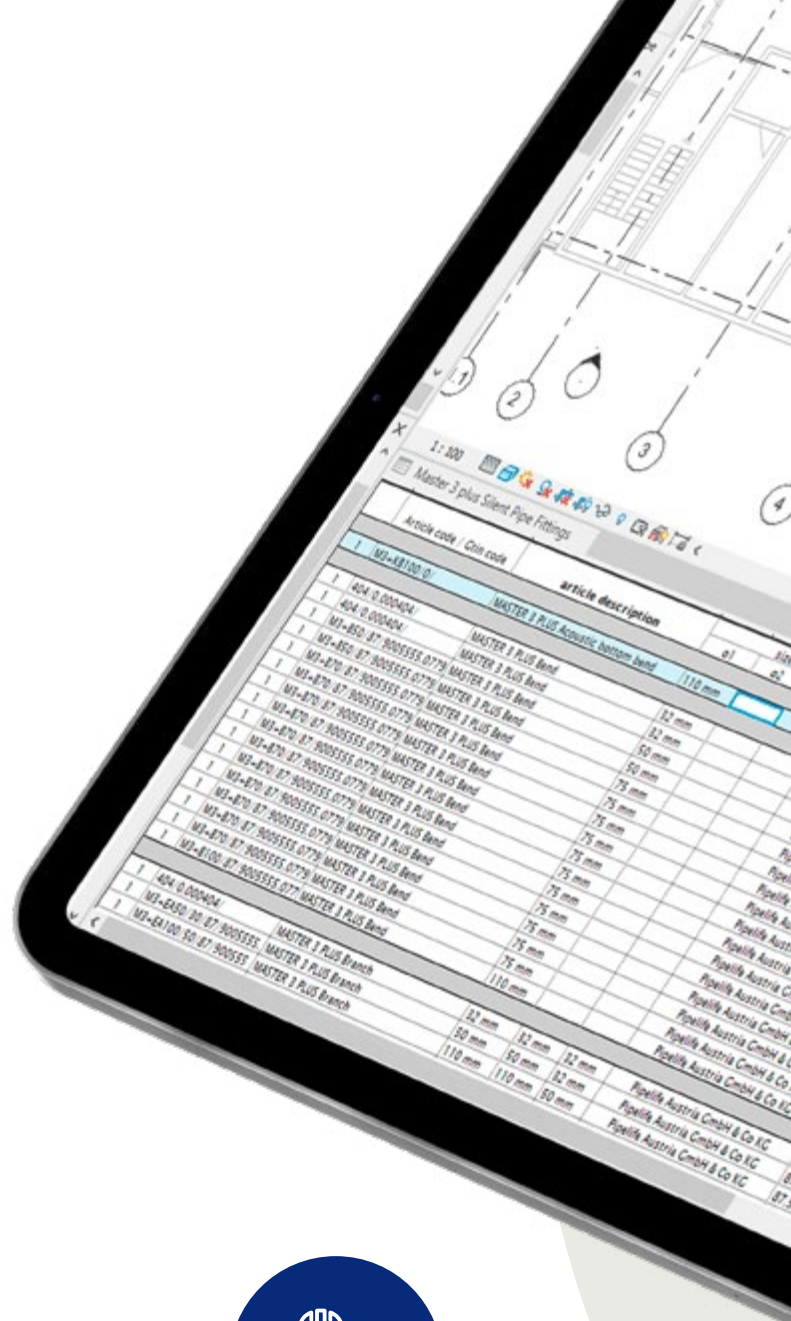
Applications in accordance with EN 1451-1

# Leverage digital technology

## BIM meets Master3Plus

**Your vision is to improve design, construction and building operation processes through digitization? We are here to support you.**

Fully leverage the advantages of Building Information Modeling (BIM) with our comprehensive BIM portfolios. We offer complete digital system design services based on your digital layout. If you prefer taking the design into your own hands, simply download our Master3Plus library for fast, accurate and more efficient implementation.



### Full design service for Master3Plus

- Continuously updated, comprehensive BIM library
- No plugins needed – our BIM libraries are available for Autodesk Revit, MagiCAD Cloud, Trimble MEPcontent, Trimble 3D Warehouse, and other leading design software.
- Produce accurate virtual simulations
- Conduct quick, spot-on calculations also for unconventional designs
- Instant conflict detection



### For proprietors and operators

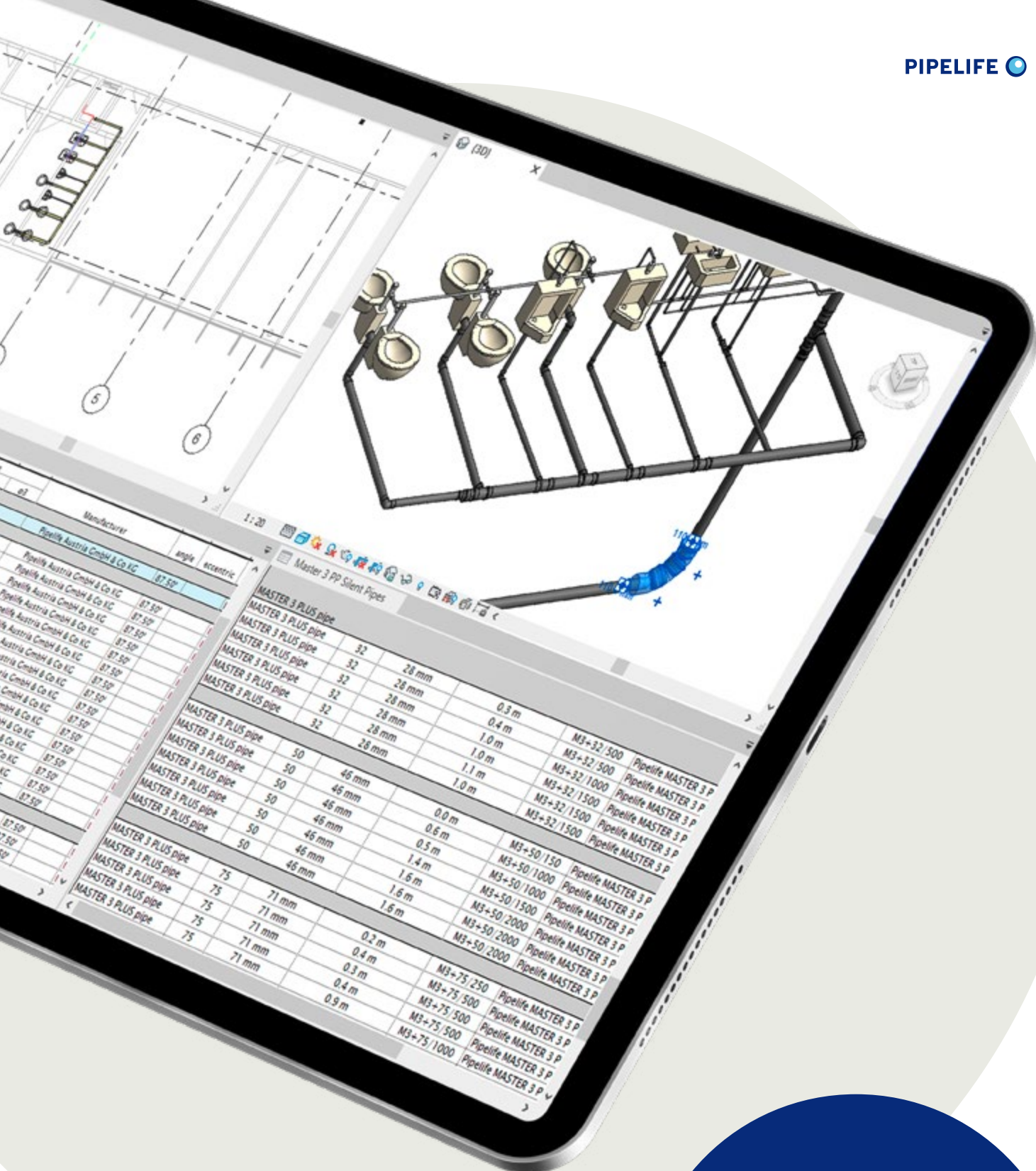
- Supplier and product data transparency
- More accurate valuation of the building
- Coordination of necessary maintenance service and renovation works
- Prognosing maintenance and renovation costs



### For installers

- Exact product specifications and calculations
- Accurate product order lists
- Optimized cost estimates and budgeting
- Easier planning and cooperation
- Faster project implementation





Let us provide you with a complete digital design or download our library



# Create ecological value







## Building green

**While the eco-rating of buildings is still heavily focused on emissions and energy efficiency during operation, European environmental standards and specifications are bit by bit tightened taking environmental impacts from construction to demolition into consideration.**

We help you meet the rising demand for sustainable buildings and greener construction. It is our goal to optimize energy and resource efficiency while increasing the service life of our products and ensuring they can be recycled or reused at the end of their lifecycle.

### Ecological choices with EPDs

Environmental Product Declarations contain standardized third-party verified data about the environmental impacts of products across their entire lifecycle. PIPELIFE has started working on the digitization of EPDs so you can compare the environmental impact of products from various suppliers more easily.

### Energy efficiency

Closed cooling circuits, reuse of production off-heat, and renewable energy sources to heat office buildings and charge an increasing number of electric vehicles at our warehouses and distribution centers effectively reduce energy consumption and emissions.

### Biodiversity

Our contribution to preserving nature does not stop with the reduction of CO<sub>2</sub> emissions, waste or increasing the use of recycled materials. As part of the World of Wienerberger, PIPELIFE is working towards the group's self-imposed Environmental, Social and Corporate Governance Goals. Accordingly, biodiversity measures are implemented at all our plants to improve the flora and fauna at our production sites. We want to maximize green surfaces in the form of green roofs and facades, plant additional trees, and overall create a high-quality habitat for native species.

### Reduce – Reuse – Recycle

The Master3Plus assortment is 100% recyclable. Our cradle-to-cradle designs ensure that pipes and fittings can be re-produced into new quality-assured products, keeping waste to a minimum.

### Towards zero waste construction

For you to save on time and material and to minimize scrap on site, you can choose Master3Plus fittings with an all-socket design.

Prefab solutions are a true time and material saver, especially in large-scale building development projects. With offsite constructed Master3Plus soil and waste pipe systems on-site installation can be completed neatly with almost zero waste. Get in touch with your local Pipelife partner to find out if prefab is an option for you.

### Measuring and improving efficiency

We deploy industry 4.0 technologies to measure and reduce energy, raw material consumption and related CO<sub>2</sub> emissions by improving our production processes. Quality management systems and environmental measures are implemented at all PIPELIFE production sites meeting national well as international standards such as ISO 9001 (Quality Management System) and as ISO 14001 standards (Environmental Management System).



The contents and information contained in this brochure are intended for general marketing purposes only and shall not be relied upon by any person as complete or accurate. In particular, this brochure cannot replace proper expert advice on the characteristics of the products, their usage, suitability for any intended purpose, or the proper processing method. All contributions and illustrations in this brochure are subject to copyright. Unless explicitly otherwise stated, the repetition of content is not permitted. The use of photocopies from this brochure is for private and non-commercial use only. Any duplication or distribution for professional purposes is strictly forbidden.

Non-Liability: PIPELIFE has established this brochure to the best of its knowledge. PIPELIFE cannot accept any liability suffered or incurred by any person resulting from or in connection with any reliance on the content of or the information contained in this brochure. This limitation applies to all loss or damage of any kind, including but not limited to direct or indirect damages, consequential or punitive damages, frustrated expenses, lost profit or loss of business.

Date issued: December 2024

Pipelife International GmbH, Wienerbergerplatz 1, 1100 Vienna  
T +43 1 602 2030 0, E [info@pipelife.com](mailto:info@pipelife.com), [pipelife.com](https://www.pipelife.com)