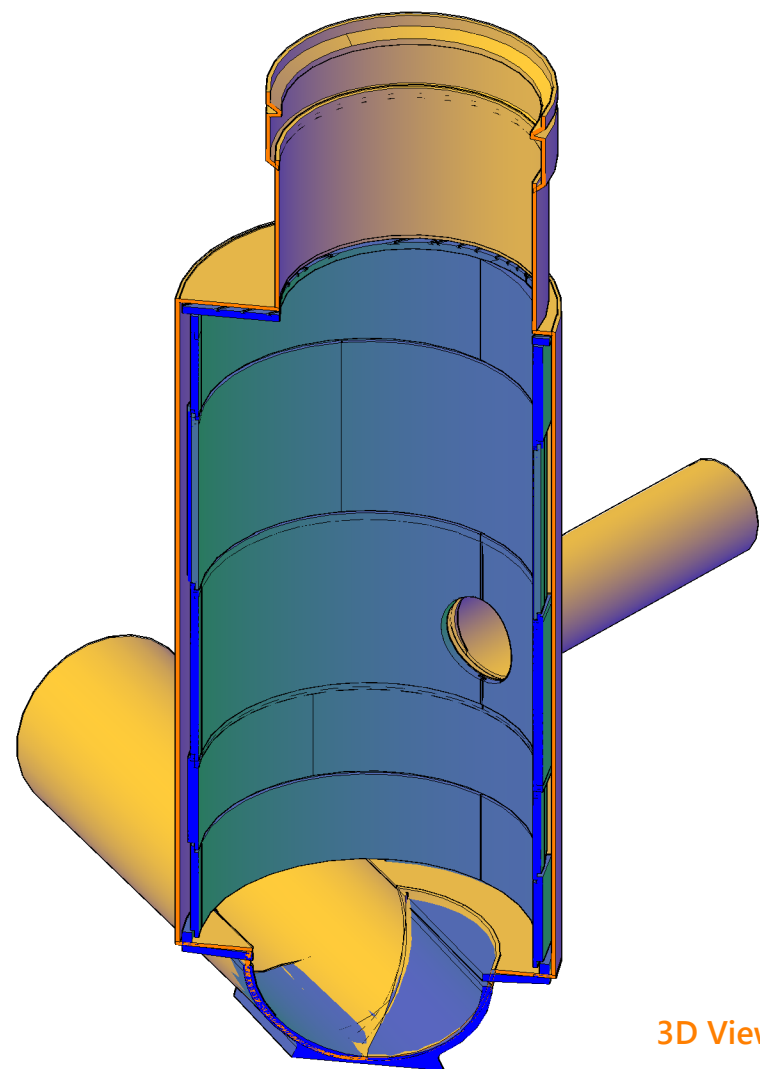
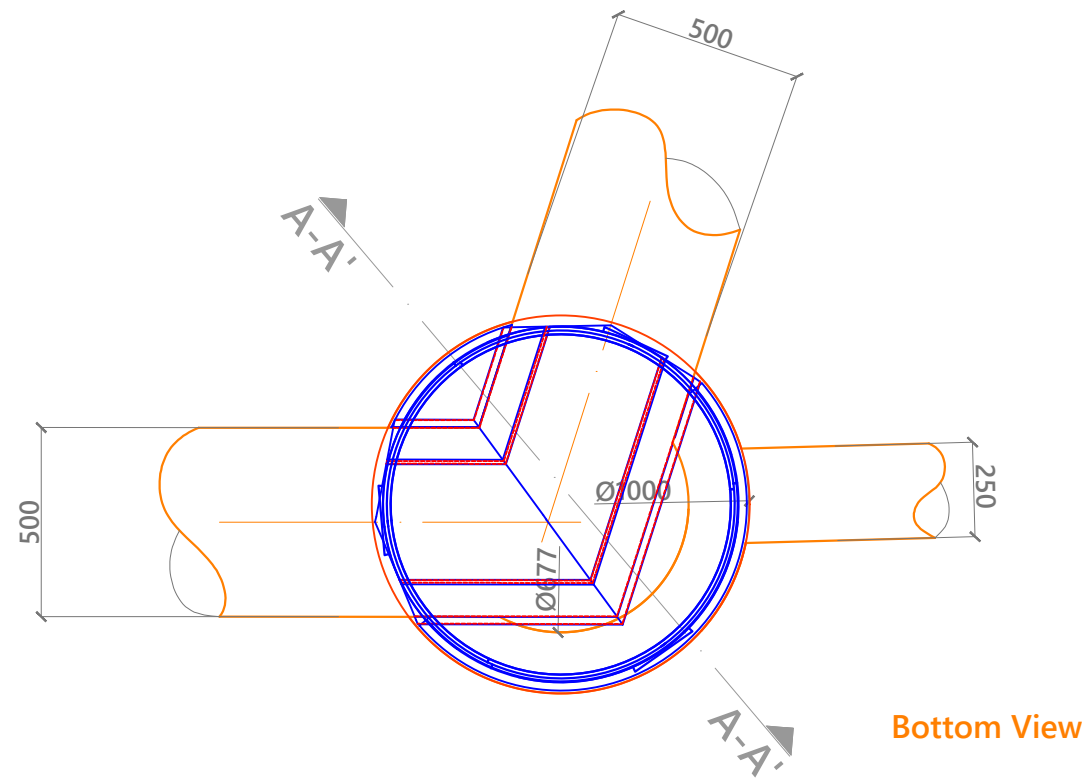


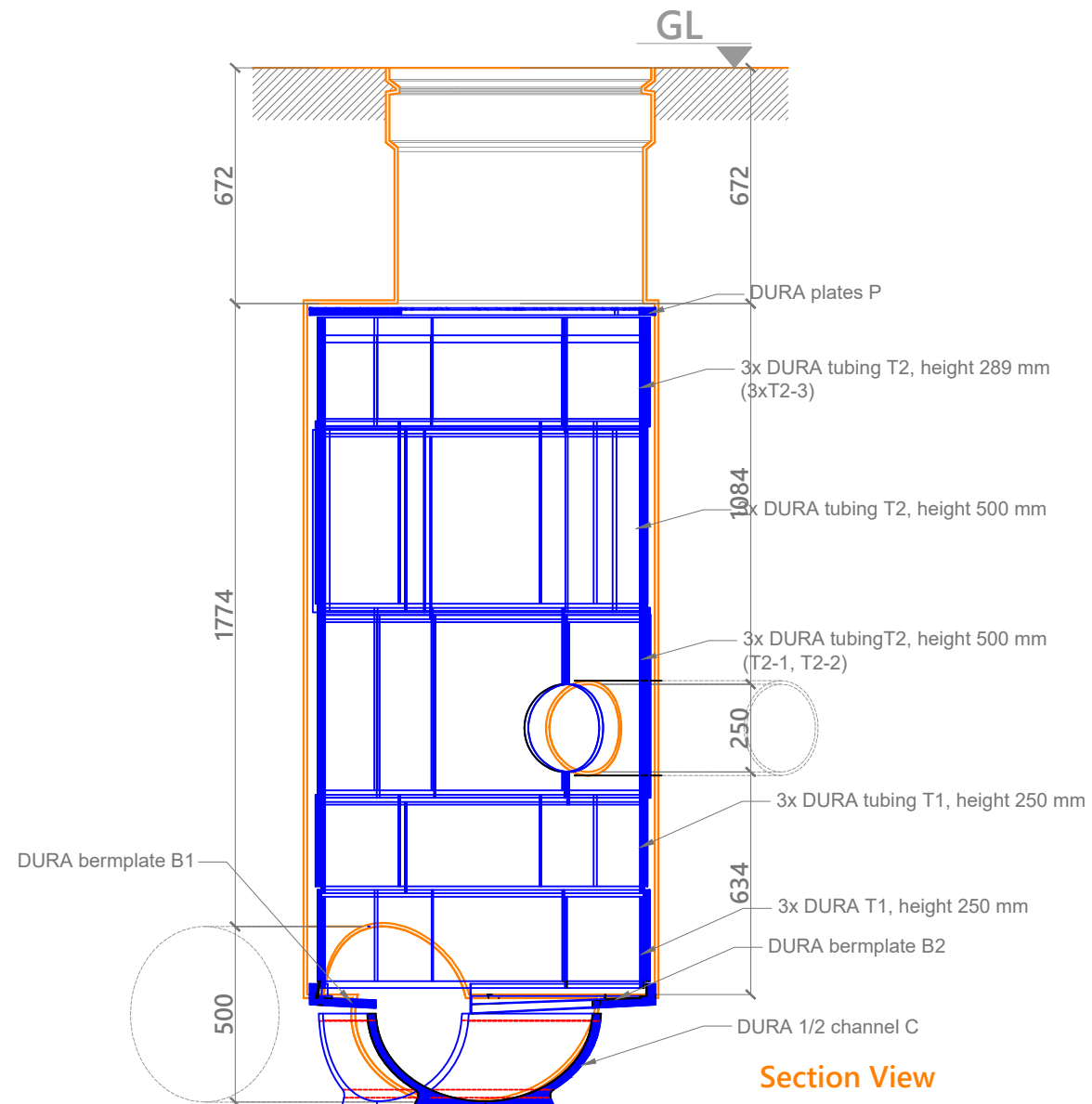
DURA.Port View



3D View



Bottom View



Section View

Client:
Pipelife

Project:
Reno-Aquafin

Technical Data:
Manhole Code: K000112079 (RHL23)
Scan Date: 02/12/2022
Street: Rusthuislaan 23
Postal Code: 2242
City: Zandhoven

Coordinates:

Legend:

Bermplate		
B1, B2	bermplate DN945 mm	2x 1/2
1/2 Channel		
C	DN500, length 1,0 m (C1, C2)	2 pcs
Tubings		
T1	tubing DN900m,H 250mm (T1-1, T1-2 - cutting plan)	2x3 pcs
T2	tubing DN900m,H 500mm (T2-1 - cutting plan)	3x3 pcs
Plate		
P	plate 500x400x20 mm (cutting plan)	3 pcs

Additional Information:
All dimensions are only recommended.
Elements will be adjusted on construction site depending on other related works.