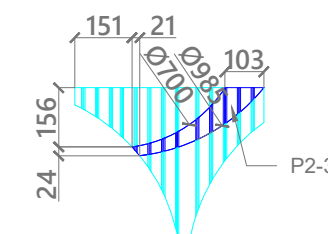
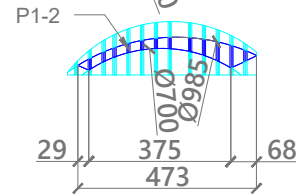
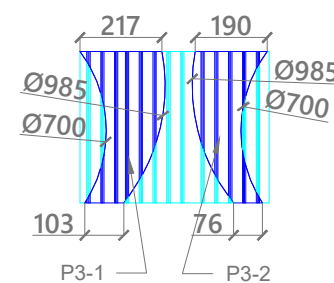
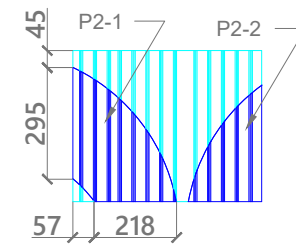
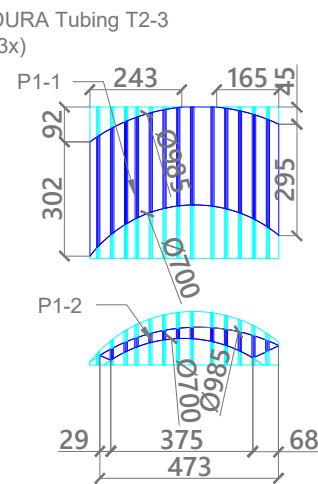
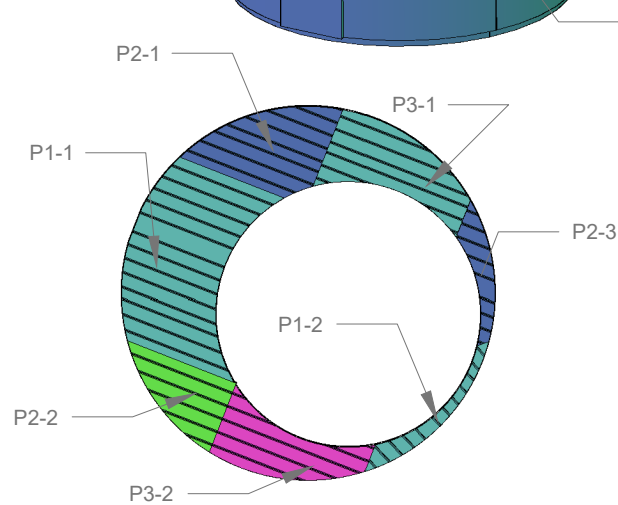
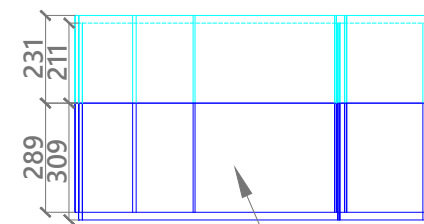
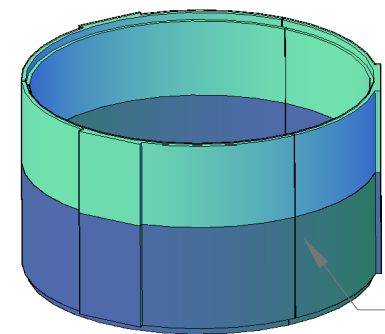
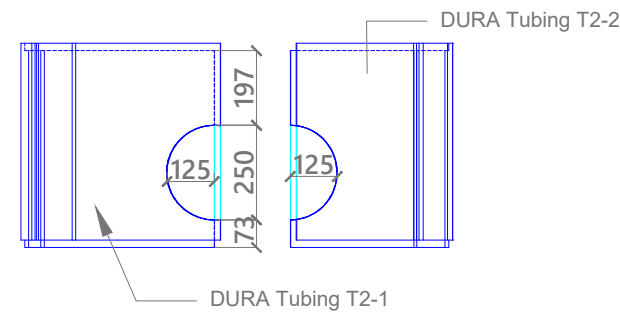
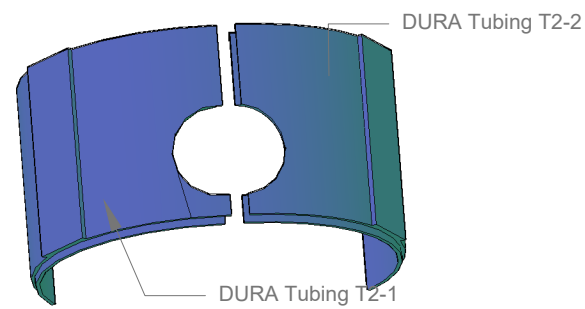
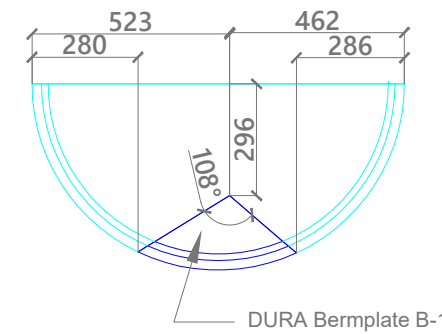
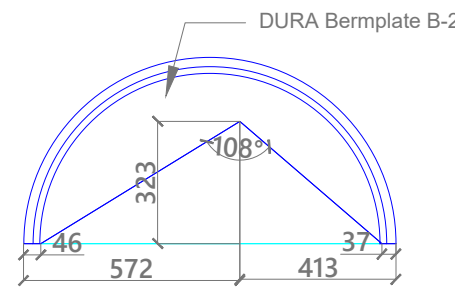
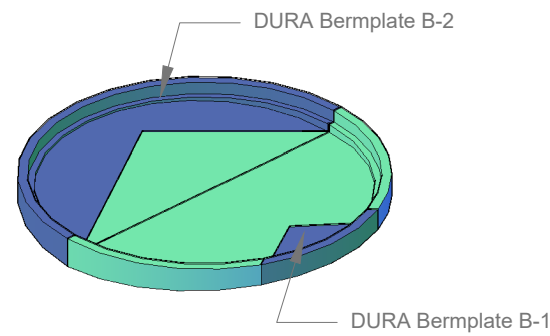
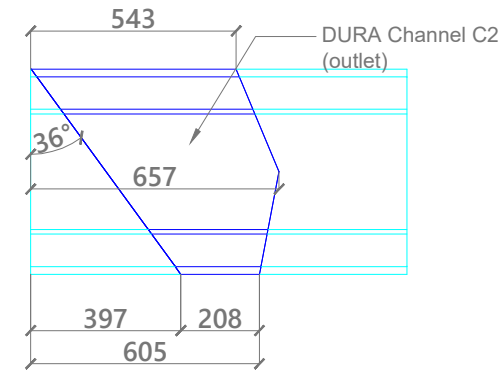
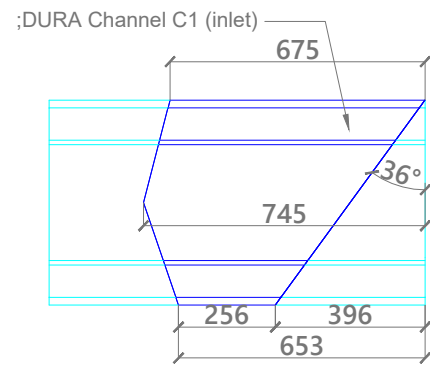
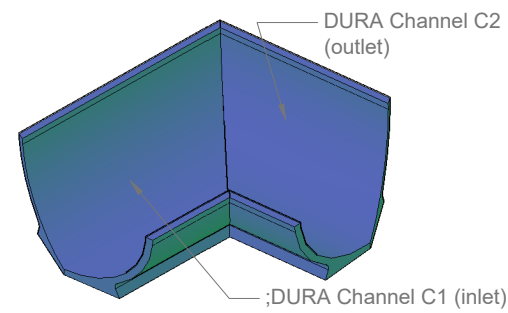
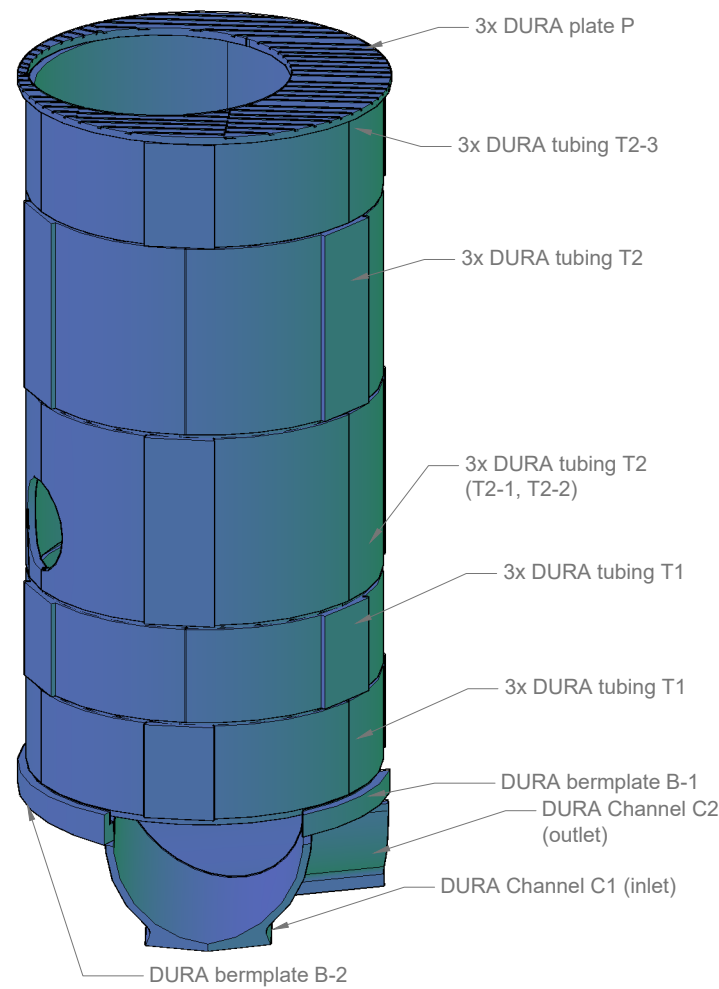


# DURA.Port View



Client: **Pipelife**

Project: **Reno-Aquafin**

Technical Data:  
**Manhole Code: K000112079 (RHL23)**  
**Scan Date: 02/12/2022**  
**Street: Rusthuislaan 23**  
**Postal Code: 2242**  
**City: Zandhoven**

Coordinates:

Legend:

<b>Bermplate</b>		
B1, B2	bermplate DN945 mm	2x 1/2
<b>1/2 Channel</b>		
C	DN500, length 1,0 m (C1, C2)	2 pcs
<b>Tubings</b>		
T1	tubing DN900m,H 250mm (T1-1, T1-2 - cutting plan)	2x3 pcs
T2	tubing DN900m,H 500mm (T2-1 - cutting plan)	3x3 pcs
<b>Plate</b>		
P	plate 500x400x20 mm (cutting plan)	3 pcs

Additional Information:  
 All dimensions are only recommended.  
 Elements will be adjusted on construction site depending on other related works.

Scale: **1/20** Units: **mm**

Contact: **info@sewermapper.com**  
<https://sewermapper.com>

## CUTTING PLAN